

DOCCIA RD SHOWER HEAD



WELS: 3 Star 9L/min
WELS Reg No: S15952
Pressure Rating: Min 150KPa - Max 500KPa
Temperature Rating: Min 1°C - Max 75°C



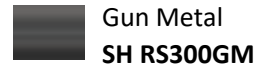
Chrome
SH RS300



Brushed Nickel
SH RS300BN



Brushed Brass
SH RS300BB

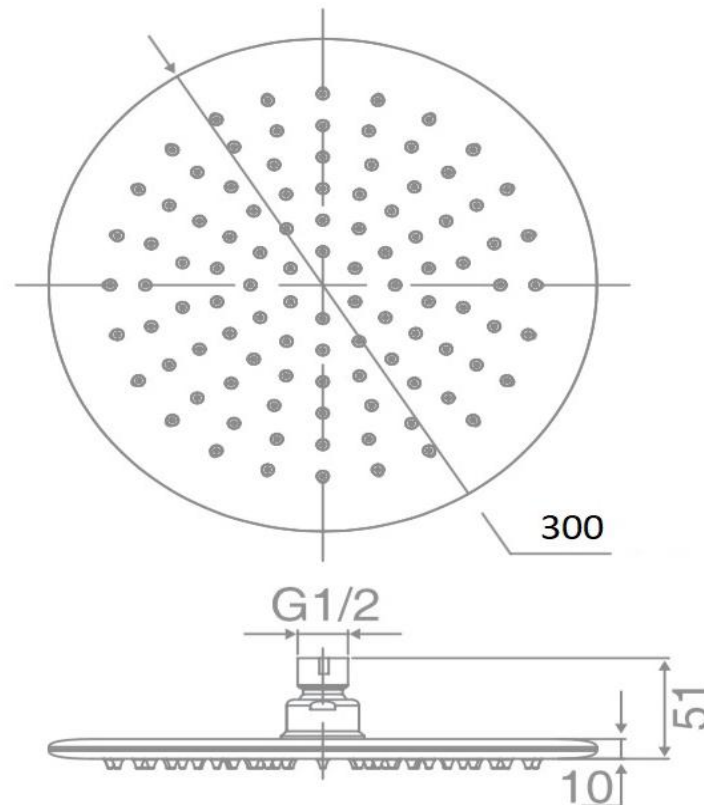


Gun Metal
SH RS300GM



Matt Black
SH RS300BK

SPECIFICATIONS



CLEANING & MAINTENANCE:

Shower Heads should be cleaned with mild detergent and water
All Products must be cleaned with a soft cloth with soapy water, avoid waxes, solvents, abrasives, acids and other chemical based cleaners
Warranty will be void if damages are caused by unsuitable cleaning products

WARRANTY INFORMATION:

5 years PVD finishes (purchased after 01/01/2026)

1 year non-PVD finishes

1 year parts & labour

Note: Hoses, slides, wall fixings, brackets: **1 year**

ZENIMO
Zen-inspired, Modern Living

ADDRESS: 42 Castro Way, Derrimut VIC 3026

PHONE: (03) 8390 6300

OFFICE: ect_sales@outlook.com

SERVICE: ect_service@outlook.com

WEBSITE: www.ectglobal.com.au